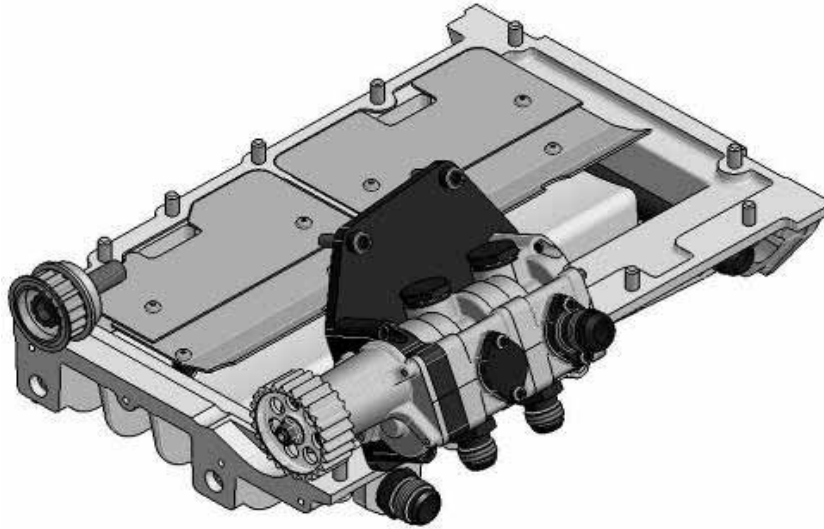


## Ford Duratec Sump Systems

**NOTE: All prices are SUBJECT TO CHANGE and freight is NOT INCLUDED.**

### *Dry Sump Systems*



#### **2.0 Ltr Kits**

E1912010101A1  
E1912010201A1

2.0 Ltr Dry Sump Kit, 2 Stage with Scavenge Oil Pump  
2.0 Ltr Dry Sump Kit, 3 Stage with Pressure and Scavenge Oil Pump

**In Dollars**  
**\$1,459.50**  
**\$1,575.00**

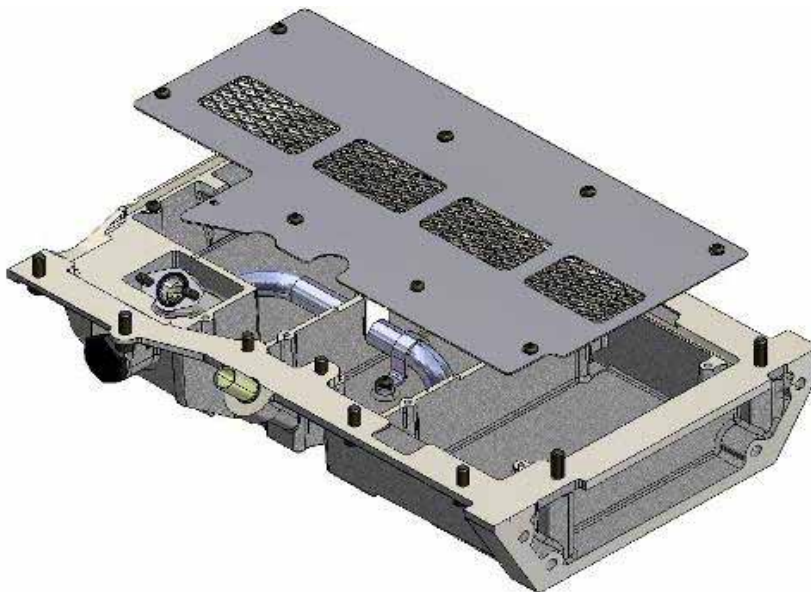
#### **2.3 Ltr Kits**

E1912010301A1  
E1912010401A1

2.3 Ltr Dry Sump Kit, 2 Stage with Scavenge Oil Pump  
2.3 Ltr Dry Sump Kit, 3 Stage with Pressure and Scavenge Oil Pump

**\$1,459.50**  
**\$1,575.00**

### *Wet Sump System*



E1912210100A1

Wet Sump System

**\$679.22**

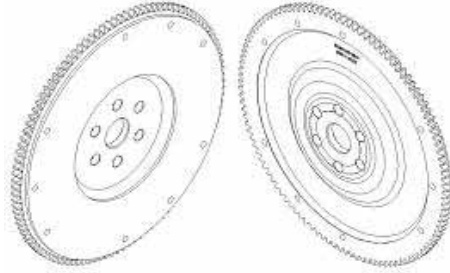
## Ford Duratec Flywheels

### *Flywheels - 8.5" Clutch*

E1921010100A3

Flywheel - Standard Lightweight to suit 8.5" clutch

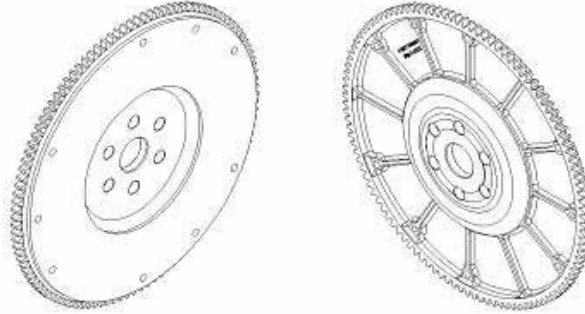
**\$382.20**



E1921010200A3

Flywheel - Super Lightweight to suit 8.5" clutch

**\$524.16**

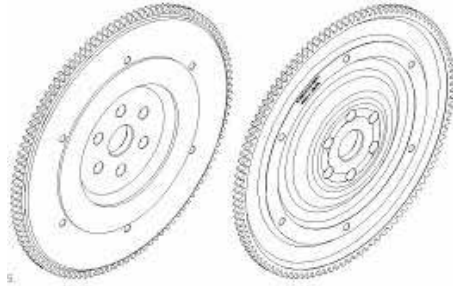


### *Flywheels - 7.25" Clutch*

E1921210100A1

Flywheel - Standard Lightweight to suit 7.25" competition clutch.

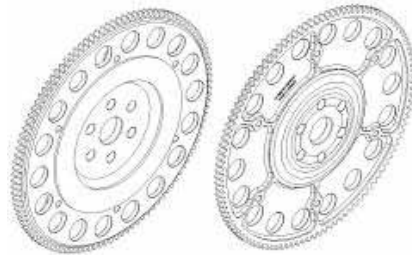
**\$382.20**



E1921210200A1

Flywheel - Super Lightweight to suit 7.25" competition clutch.

**\$556.92**



## Ford Duratec Bellhousings

### *Bellhousings*

E1923110201A1 Bellhousing - Short (173mm) **\$478.80**



E1923110202A1 Bellhousing - Long (192mm) **\$478.80**



### *Titan Clutch Operating Cylinder*

A0222317103A2 Universal co-axial hydraulic clutch operating cylinder assembly to **\$143.68**

BZR39721400A4 suit Saab type clutch release bearing  
Clutch Release Bearing (Saab type) **\$37.78**

### *Spacers for Titan Clutch Operating Cylinder*

A0222316900A2 Clutch Cylinder Mounting Stepped Spacer 1/8" **\$27.28**

A0222317201A2 Clutch Cylinder Mounting Stepped Spacer 1/4" **\$40.19**

A0222317202A2 Clutch Cylinder Mounting Stepped Spacer 1/2" **\$33.01**

A0222317203A2 Clutch Cylinder Mounting Stepped Spacer 3/4" **\$32.17**

A0222317204A2 Clutch Cylinder Mounting Stepped Spacer 1.0" **\$33.01**

A0222317300A2 Clutch Cylinder Mounting Stepped Spacer 30mm **\$41.94**

### *Ford Clutch Operating Cylinder Mounting Adaptors*

E1922310101A2 Mounting Adaptor for Ford Flywheel Setup **\$61.95**

E1922310102A2 Mounting Adaptor for Titan Flywheel Setup **\$61.95**

## Ford Duratec Inlet Systems



### ***Roller Barrel Assembly***

E1914010101SK	Duratec Roller Barrel Throttle Assembly exc Trumpets	<b>\$1,785.00</b>
A1014610104A2	Trumpet - 100mm	<b>\$71.40</b>
A1014610103A2	Trumpet - 75mm	<b>\$61.43</b>
A1014610102A3	Trumpet - 50mm	<b>\$51.66</b>
A1014610101A3	Trumpet - 35mm	<b>\$47.25</b>

### ***Manifold***

E1914010201SK	Inlet Manifold inc. 'O' Rings (45MM)	<b>\$220.50</b>
---------------	--------------------------------------	-----------------

